



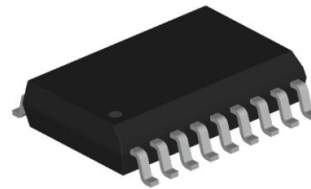
# SSC2803A

## High-voltage High-current Darlington transistor Arrays

### ➤ Features

- 500mA Rated Collector Current (Single Output).
- High Voltage Outputs: 50V.
- Inputs Compatible With Various Types of Logic
- Output Clamp Diodes

### ➤ Pin configuration

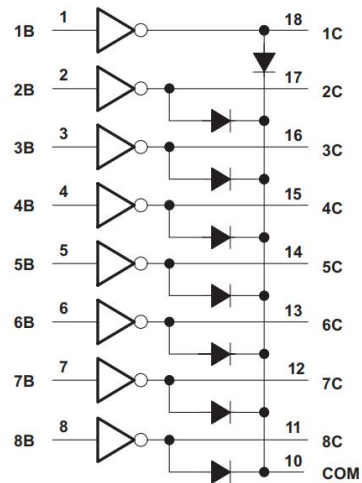


Top view

### ➤ Description

The SSC2803A device is a 50 V, 500 mA Darlington transistor array. The device consists of eight NPN Darlington pairs that feature high-voltage outputs with common-cathode clamp diodes for switching inductive loads. The collector-current rating of each Darlington pair is 500 mA. The Darlington pairs may be connected in parallel for higher current capability.

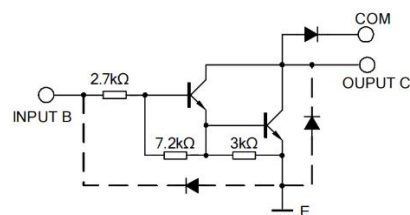
Applications include relay drivers, hammer drivers, lamp drivers, display drivers (LED and gas discharge), line drivers, and logic buffers. The SSC2803A device has a 2.7-kΩ series base resistor for each Darlington pair for operation directly with TTL or 5-V CMOS devices.



Logic Diagram

### ➤ Applications

- IP Camera
- Stepper Motors
- HVAC Valve and LED Dot Matrix



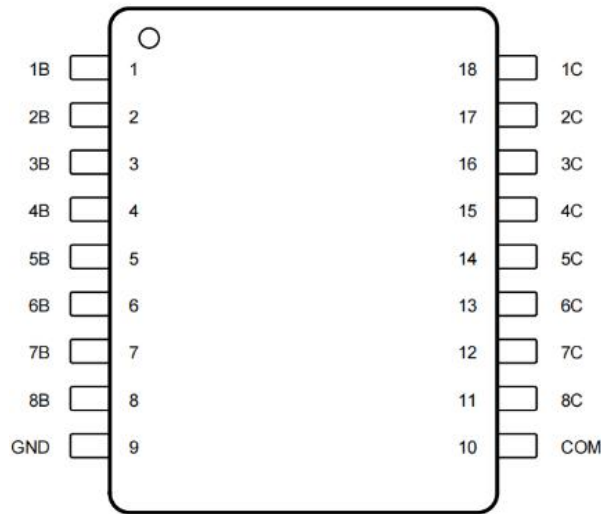
**Note:** The input and output parasitic diodes cannot be used as clamp diodes.

### ➤ Ordering Information

Device	Package	Shipping
SSC2803A	SOP18	40/Tube



➤ Typical application

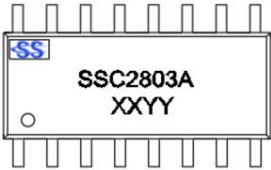


SOP18

➤ Pin Descriptions

SOP18		TYPE	Function
Pin NO.	Pin Name		
1	1B	I	Channel 1 through 8 Darlington base input
2	2B		
3	3B		
4	4B		
5	5B		
6	6B		
7	7B		
8	8B		
9	GND	-	Common emitter shared by all channels (typically tied to ground)
10	COM	I/O	Common cathode node for flyback diodes (required for inductive loads)
11	8C	O	Channel 1 through 8 Darlington collector output
12	7C		
13	6C		
14	5C		
15	4C		
16	3C		
17	2C		
18	1C		

**➤ Marking Information**

Marking	Designator	Description
	SSC	Logo
	2803A	Product model
	XXYY	XX: year:23 Y: week:01~52 Y: Lot

**➤ Absolute Maximum Ratings( $T_A=25^{\circ}\text{C}$  unless otherwise noted)**

Symbol	Parameter	Ratings	Unit
$V_{CE}$	Collector to emitter Voltage	50	V
$V_{IN}$	Input voltage	30	V
$I_C$	Collector current (continuous current)	500	mA
$I_B$	Base current (continuous current)	25	mA
$P_D$	Maximum power dissipation	Internally Limited <sup>(3)</sup>	W
$T_A$	Operating Ambient temperature	-20 to 80	$^{\circ}\text{C}$
$T_J$	Operation junction temperature	125	$^{\circ}\text{C}$
$T_{STG}$	Storage temperature range	-55 to 150	$^{\circ}\text{C}$

(1) Stresses beyond those listed under Absolute Maximum Ratings may cause permanent damage to the device. These are stress ratings only, which do not imply functional operation of the device at these or any other conditions beyond those indicated under Recommended Operating Conditions. Exposure to absolute-maximum rated conditions for extended periods may affect device reliability.

(2) All voltages are with respect to network ground terminal.

(3) Refer to Thermal Information for details.

**➤ Thermal Information**

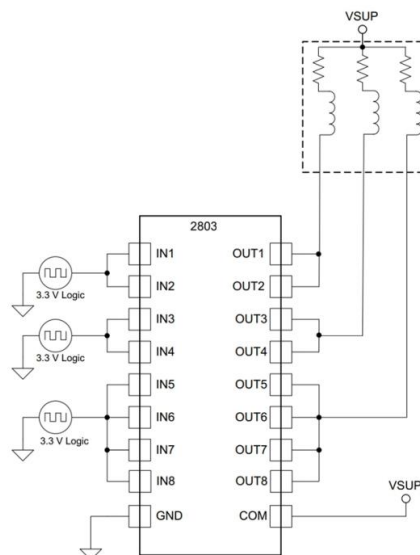
Symbol	Parameter	Ratings	Unit
$R_{\theta JA}$	Junction-to-ambient thermal resistance	70.4	$^{\circ}\text{C}/\text{W}$
$P_D$	Reference maximum power dissipation for continuous operation	1.42	W



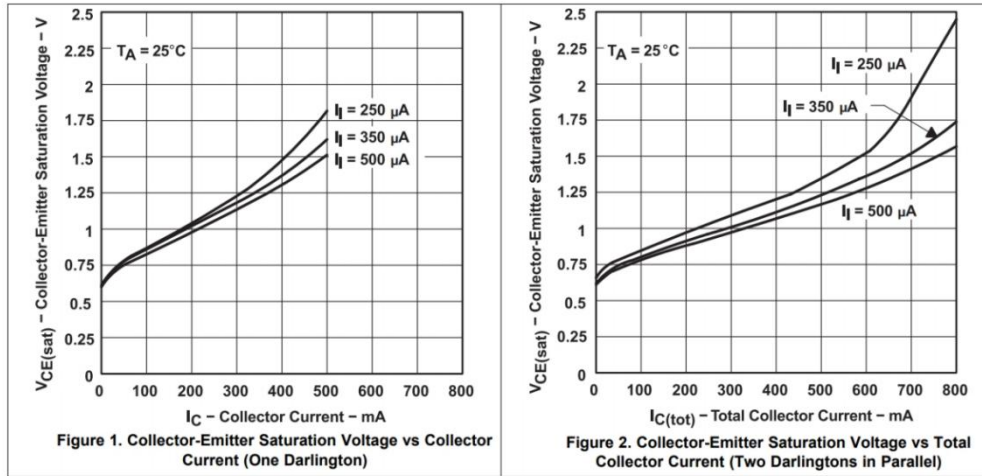
➤ **Electronics Characteristics**( $T_A=25^{\circ}\text{C}$  unless otherwise noted)

Symbol	Parameter	Test Conditions	Min	Typ.	Max	Unit	
$V_{I(ON)}$	On State Input Voltage	$V_{CE} = 2\text{V}, I_C = 200\text{mA}$			2.4	V	
		$V_{CE} = 2\text{V}, I_C = 250\text{mA}$			2.7		
		$V_{CE} = 2\text{V}, I_C = 300\text{mA}$			3		
$V_{CE(SAT)}$	Collector Emitter Saturation Voltage	$I_C = 350\text{mA}, I_B = 500\mu\text{A}$		1.5	1.7	V	
		$I_C = 200\text{mA}, I_B = 350\mu\text{A}$		1.15	1.3	V	
		$I_C = 100\text{mA}, I_B = 250\mu\text{A}$		0.85	1.35	V	
$I_{CEX}$	Collector cutoff current	$V_{CE} = 50\text{V}, T_A = +25^{\circ}\text{C}$			50	$\mu\text{A}$	
		$V_{CE} = 50\text{V}, T_A = +85^{\circ}\text{C}$			100		
$I_{I(OFF)}$	Off State Input Current	$V_{CE} = 50\text{V}, I_C = 500\mu\text{A}$	50	100		$\mu\text{A}$	
$V_F$	Clamp forward voltage	$I_F = 350\text{mA}$		1.5	2	V	
$I_I$	Input current	$V_I = 3.85\text{V}$		1.15	1.35	mA	
$I_R$	Clamp Reverse Current	$V_R = 50\text{V}$	$T_A = +25^{\circ}\text{C}$			50	$\mu\text{A}$
			$T_A = +85^{\circ}\text{C}$			100	
$C_J$	Input Capacitance	$V_I = 0\text{V}, f = 1\text{MHz}$		15	30	pF	
$t_{ON}$	Turn-on delay time (50% EI to 50% EO)	50%EI to 50%Eo		0.25	1	us	
$t_{OFF}$	Turn-off delay time (50% EI to 50% EO)	50%EI to 50%Eo		0.25	1	us	

➤ **Typical Application**

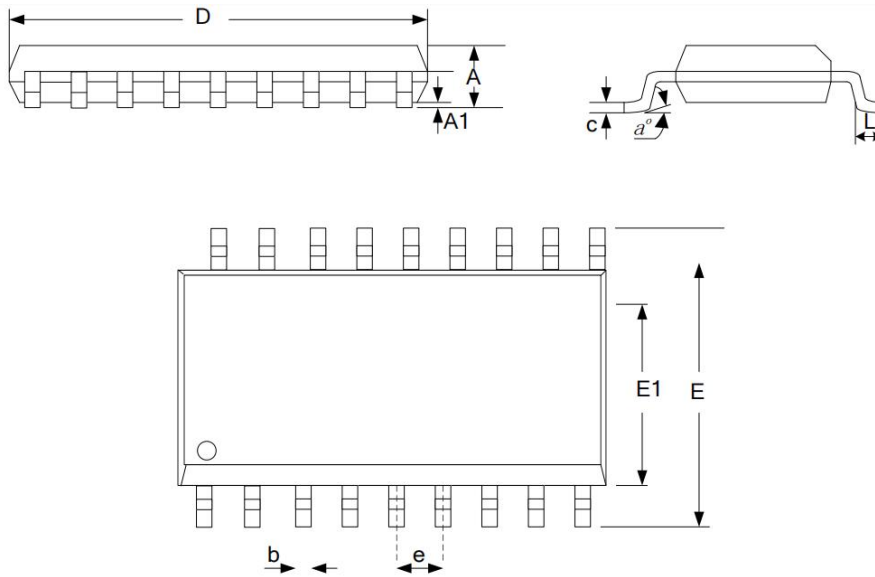


➤ **Typical Characteristics**( $T_A=25^\circ\text{C}$  unless otherwise noted)



➤ **Package Information**

**Package Type: SOP18**



SYMBOL	DIMENSIONS IN MILLIMETERS			DIMENSIONS IN INCHES		
	MIN	NOM	MAX	MIN	NOM	MAX
A	-	-	2.65	-	-	0.104
A1	0.10	-	0.30	0.004	-	0.012
b	0.35	-	0.48	0.014	-	0.019
D	11.25	11.45	11.76	0.443	0.451	0.463
E	10.10	10.30	10.64	0.398	0.406	0.419
E1	7.30	7.50	7.70	0.287	0.295	0.303
e	1.27 Bsc.			0.05 Bsc.		
L	0.50	-	1.00	0.020	-	0.039
a°	0°	-	8°	0°	-	8°
C	0.19	-	0.29	0.007	-	0.011



---

**DISCLAIMER**

AFSEMI RESERVES THE RIGHT TO MAKE CHANGES WITHOUT FURTHER NOTICE TO ANY PRODUCTS HEREIN TO IMPROVE RELIABILITY, FUNCTION OR DESIGN. AFSEMI DOES NOT ASSUME ANY LIABILITY ARISING OUT OF THE APPLICATION OR USE OF ANY PRODUCT OR CIRCUIT DESCRIBED HEREIN; NEITHER DOES IT CONVEY ANY LICIENCE UNDER ITS PATENT RIGHTS, NOR THE RIGHTS OF OTHERS.

The graphs provided in this document are statistical summaries based on a limited number of samples and are provided for informational purpose only. The performance characteristics listed in them are not tested or guaranteed. In some graphs, the data presented may be outside the specified operating range (e.g. outside specified power supply range) and therefore outside the warranted range.